

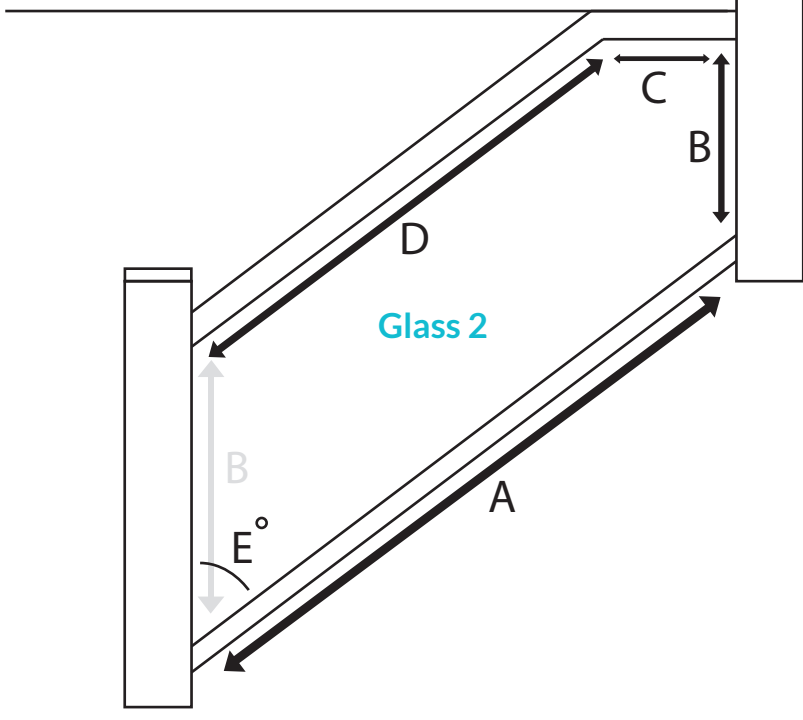
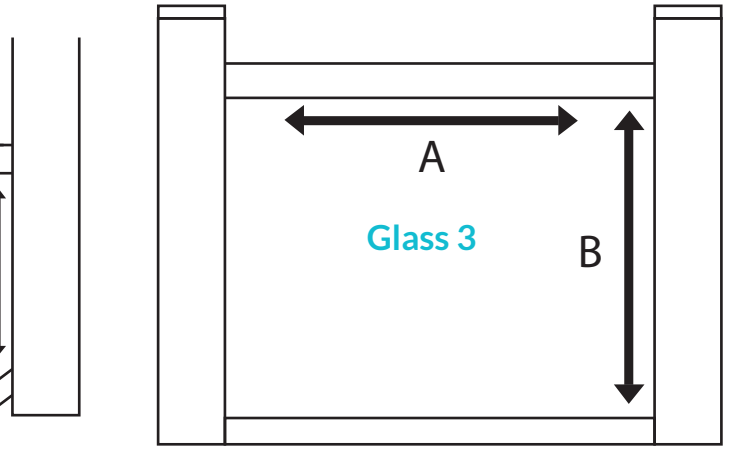
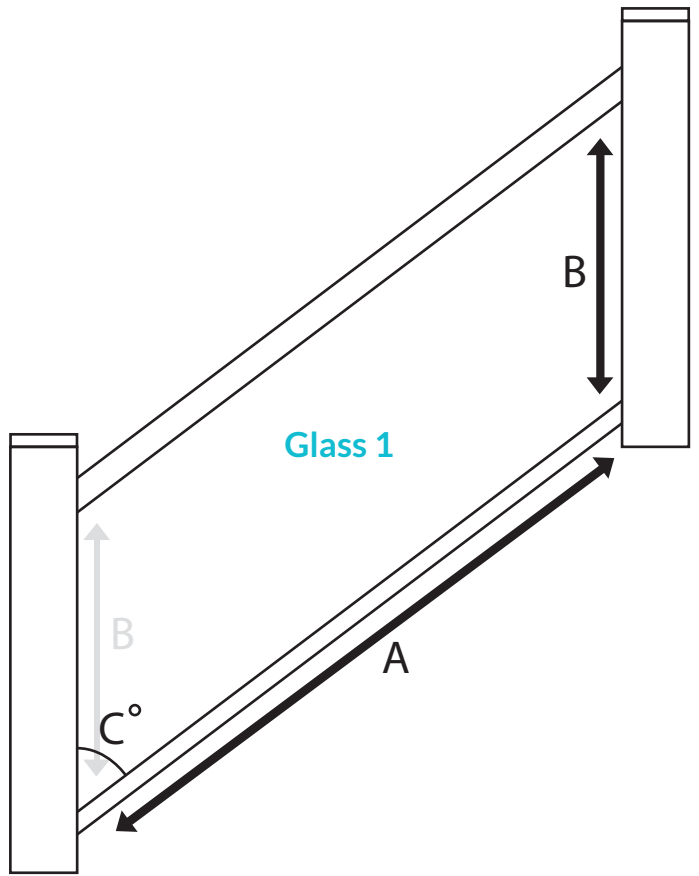
How to measure infill glass balustrade

Follow our quick guide and you will be able to take measurements for your infill glass balustrade project. This will allow us to send you a estimate fairly quickly and more accurate.

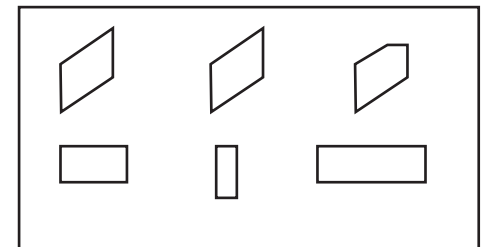
What you will need?

- Paper
- Pencil / Pen
- Measure Tape

Your measurements dont need to be precise rough dimensions are good enough. The following drawings are generally the typical shapes used for staircase balustrades.



Example A: glass layout dimensions



Example B: list of measurements reference to the glass layout

Glass #	A	B	C	D	E (Optional)
Glass 1	2055mm	700mm	43°Deg		
Glass 2	1560mm	650mm	300mm	1120mm	43°Deg
Glass 3	958mm	850mm			